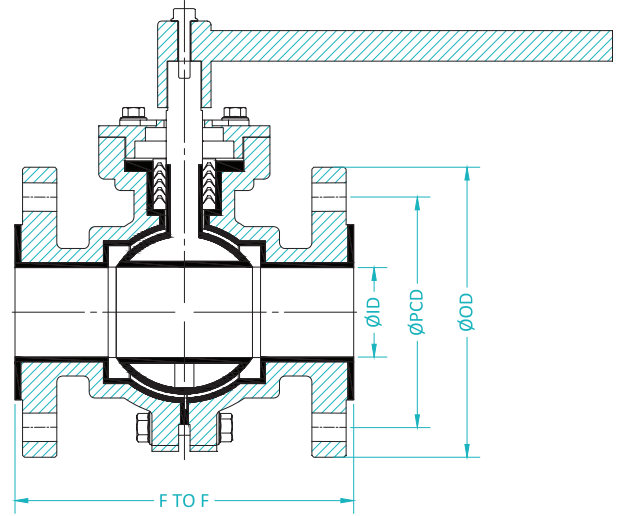
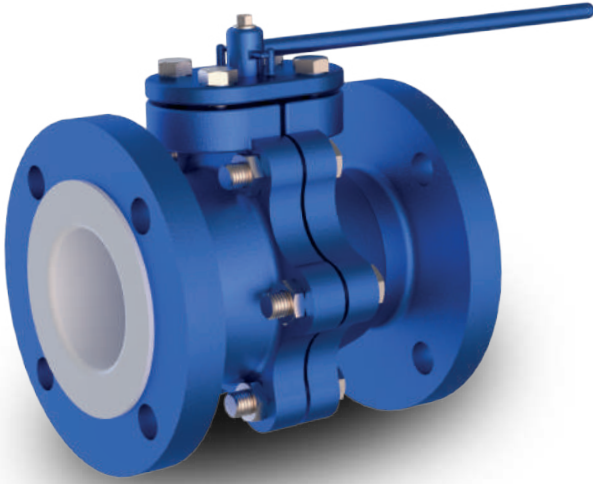


FLUOROPOLYMER LINED MS BALL VALVE



Material Specification

No.	DESCRIPTION	MATERIAL
1	BODY	DI/SGI/WCB
2	LINING	FEP/PFA
3	BALL	SGI/WCB
4	GASKET	PTFE
5	WEDGE BUSH	PTFE
6	CAP	WCB
7	HANDLE	WCB
8	FASTENERS	A2/CF8/CF8M

Salient Features:-

- Resistance to Corrosion
- Full size port for maximum capacity
- Zero maintenance due to single moving part
- Effective in preventing back pressure when installed vertically
- Smooth PTFE ball finish assures tight sealing

Notes:-

- All Dimensions are in mm
- Lining thickness will be 3 to 5 mm
- F to F dimensions are as per BS 16.10 standard
- Hydro test for shell is done at 20 kg/cm² and Spark test at 10 KVA DC

Dimensional Table

Size	OD(+3)	PCD	ID	ØH x Nos.	L (+3)
15 NB	89	60	15	16 x 4	108
20 NB	98.5	70	20	16 x 4	117
25 NB	108	79	22	16 x 4	127
40 NB	127	98	38	16 x 4	165
50 NB	152	121	47	19 x 4	178
65 NB	178	140	65	19 x 4	190
80 NB	190	152	76	19 x 4	203
100 NB	229	190	96	19 x 4	229
150 NB	279	241	142	22.5 x 4	267
200 NB	343	298	200	22.5 x 4	292

Our other products:-



PTFE High Pressure Bellow



Lined Sight Flow Indicator



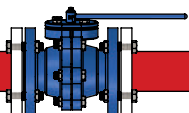
NOBLE GLASS WORKS PVT. LTD.

E-52/1, Sardar Industrial Estate, Ajwa Road, Vadodara - 390019, Gujarat, India.

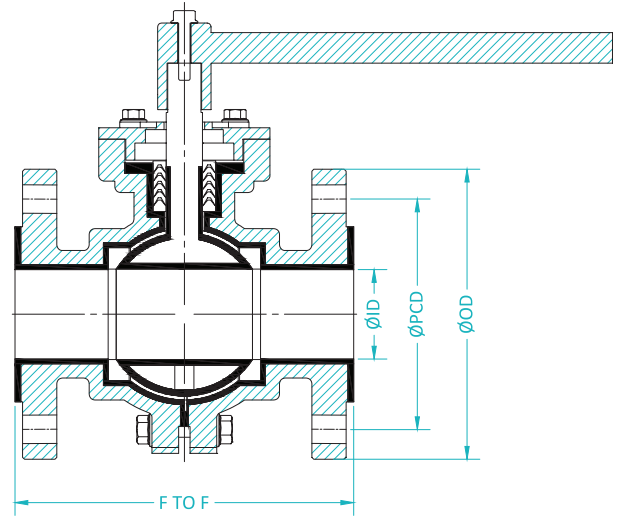
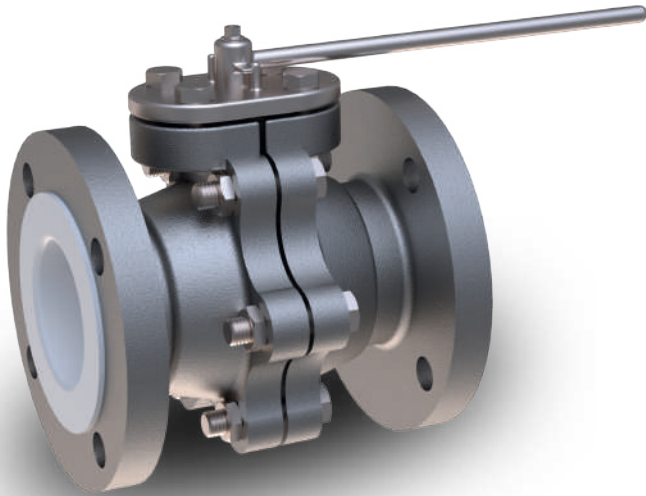
+91 9904 406 603

info@nobleglass.in

www.nobleglass.in



FLUOROPOLYMER LINED SS BALL VALVE



Material Specification

No.	DESCRIPTION	MATERIAL
1	BODY	Cl/CF8/CF8M
2	LINING	FEP/PFA
3	BALL	CF8/CF8M
4	GASKET	PTFE
5	WEDGE BUSH	PTFE
6	CAP	CF8/CF8M
7	HANDLE	CF8/CF8M
8	FASTENERS	A2/CF8/CF8M

Dimensional Table

Size	OD(+3)	PCD	ID	ØH x Nos.	L (+3)
15 NB	89	60	15	16 x 4	108
20 NB	98.5	70	20	16 x 4	117
25 NB	108	79	22	16 x 4	127
40 NB	127	98	38	16 x 4	165
50 NB	152	121	47	19 x 4	178
65 NB	178	140	65	19 x 4	190
80 NB	190	152	76	19 x 4	203
100 NB	229	190	96	19 x 4	229
150 NB	279	241	142	22.5 x 4	267
200 NB	343	298	200	22.5 x 4	292

Salient Features:-

- Resistance to Corrosion
- Full size port for maximum capacity
- Zero maintenance due to single moving part
- Effective in preventing back pressure when installed vertically
- Smooth PTFE ball finish assures tight sealing

Notes:-

- All Dimensions are in mm
- Lining thickness will be 3 to 5 mm
- F to F dimensions are as per BS 16.10 standard
- Hydro test for shell is done at 20 kg/cm² and Spark test at 10 KVA DC

Our other products:-



PTFE High Pressure Bellow



Lined Sight Flow Indicator



NOBLE GLASS WORKS PVT. LTD.

E-52/1, Sardar Industrial Estate, Ajwa Road, Vadodara - 390019, Gujarat, India.

+91 9904 406 603

info@nobleglass.in

www.nobleglass.in

